

Pressure Reducing and Sustaining Hydrometer

WW-923-MV

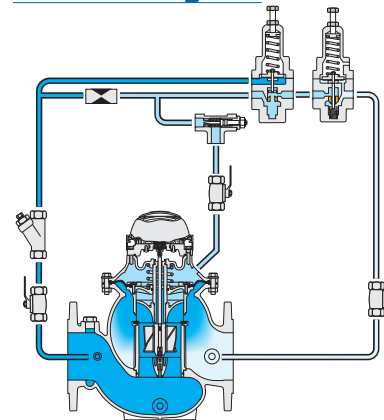
The BERMAD Model WW-923-MV integrates a vertical turbine Woltman-type water meter with a diaphragm actuated hydraulic control valve. The WW-923-MV sustains the preset minimum upstream pressure and reduces higher upstream pressure to lower constant downstream pressure, regardless of varying demand or upstream pressure.



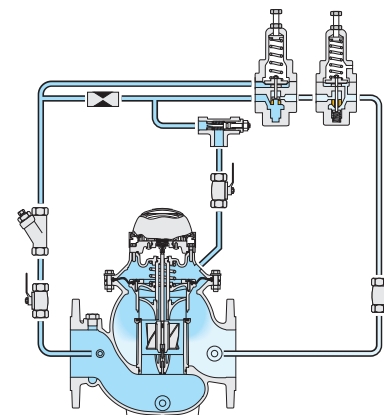
Features and Benefits

- Integrated "All-in-One" Control Valve
 - Saves space, cost and maintenance
- Line Pressure Driven
 - Protects downstream system
 - Prioritizes pressure zones
 - Controls system fill-up
- Magnetic Drive with Vacuum-Sealed Register
 - Water-free gear train mechanism
 - Reed-switch and Opto pulse-generating modes
 - Various pulse combinations
- Internal Inlet & Outlet Flow Straighteners
 - No Need for Flow straightening distances
 - Maintains accuracy
- Integrated Flow Metering Calibration Device
- User-Friendly Design
 - Simple in-line inspection and service

Control Diagram



Pressure Reducing



Pressure Sustaining

Available Sizes	Pressure Rating
DN 40 - 250 (1½"-10")	PN 16 (250 psi)

For engineering specifications refer to the engineering data section, for ordering to the ordering guide, both available at our website www.bermad.com

